

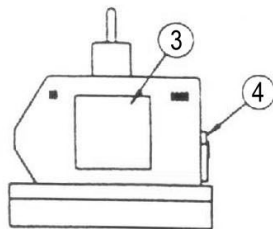
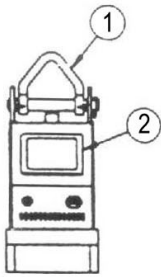
Replacement Parts List

Item #	Description	WBM-13PB	WBM-25PB	WBM-36PB	WBM-50PB	WBP-7PB	WBP-15PB
1	Lift bail ass'y	54-CC12514S	54-CC12514S	54-CC12514S	54-CC12514S	54-CC12514S	54-CC12514S
2	Charger/Controller	54-AXM12496-1	54-AXM12496-4	54-AXM12496-7	54-AXM12496-7	54-AXM12496-7	54-AXM12496-7
3	Tag kit	54-DD14585-1	54-DD14586-1	54-DD14587-1	54-DD14588-1	54-DD14589-1	54-DD14590-1
4	I.R. Transmitter	39-DD14069	39-DD14069	39-DD14069	39-DD14069	39-DD14069	39-DD14069
5	Locking nut ass'y	-	-	-	54-DD3591S	-	-
6	Pole shoes	-	-	-	-	44-CC3279S	44-CC10058S
7	Cord (AC power)	10-5484	10-5484	10-5484	10-5484	10-5484	10-5484
8	Battery	16-1035	16-1037	16-1037	16-1037	16-1037	16-1037
9	Lens, lexan	39-DD14434	39-DD14434	39-DD14434	39-DD14434	39-DD14434	39-DD14434
10	Epoxy patch kit	54-DD14974	54-DD14974	54-DD14974	54-DD14974	-	-
11	Battery enclosure	54-AA11209	54-AA11210	54-AA11210	54-AA11210	54-AA11210	54-AA11210

* Please note that all replacement chargers will have push buttons.

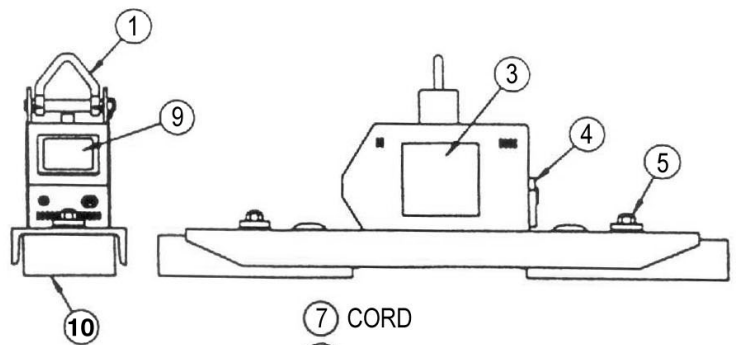
Tag kits with out push buttons

Item #	Description	WBM-13	WBM-25	WBM-36	WBM-50	WBP-7	WBP-15
3	Tag kit	54-DD14099	54-DD15000	54-DD15001	54-DD15002	54-DD15003	54-DD15004



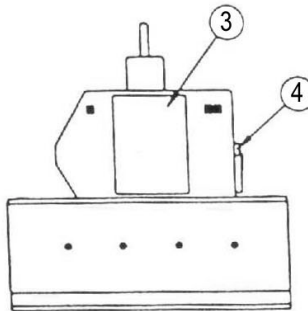
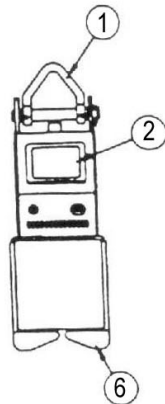
⑦ CORD
⑧ BATTERY

WBM-13, WBM-25, WBM-36



⑦ CORD
⑧ BATTERY

WBM-50



⑦ CORD
⑧ BATTERY

WBP-7, WBP-15